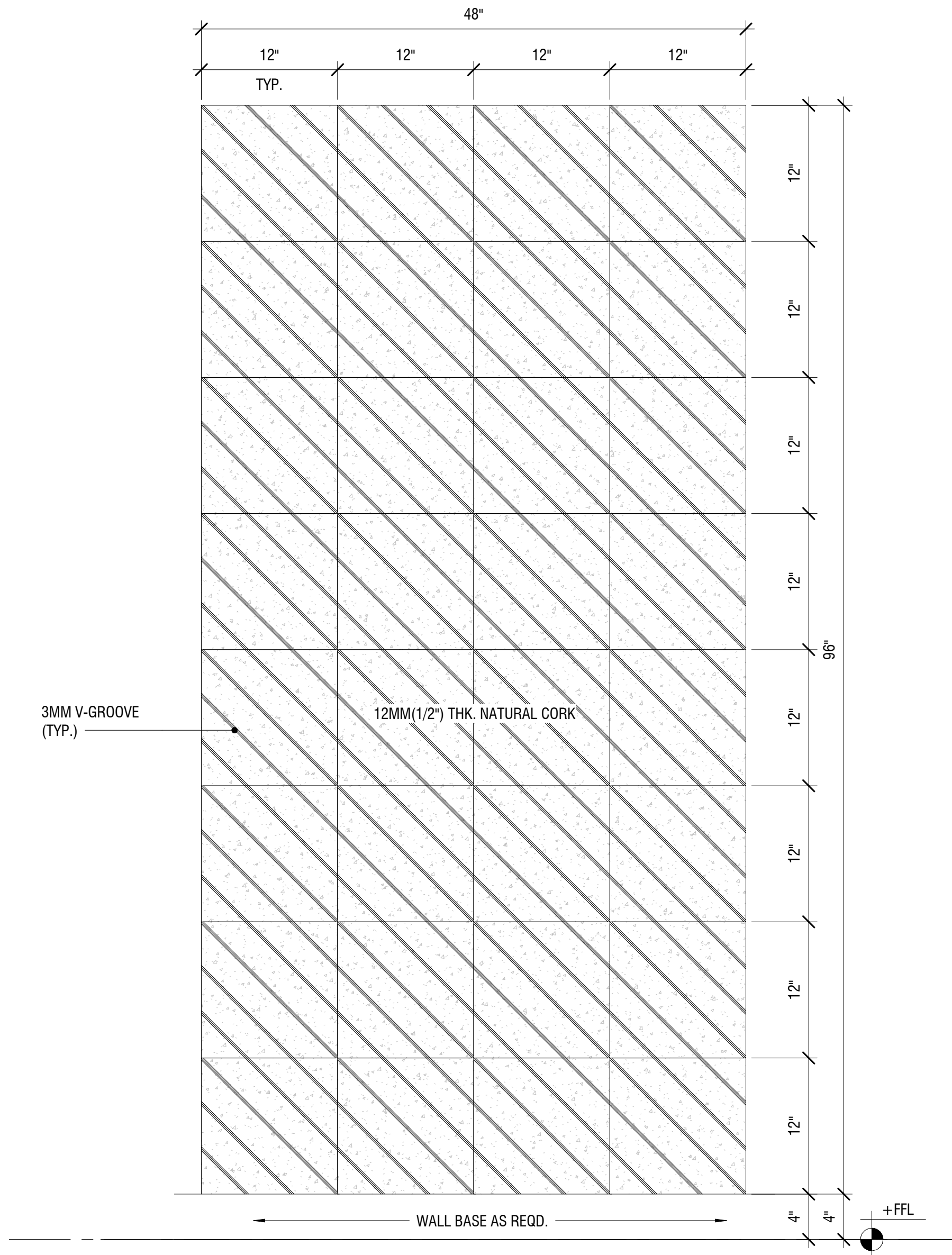
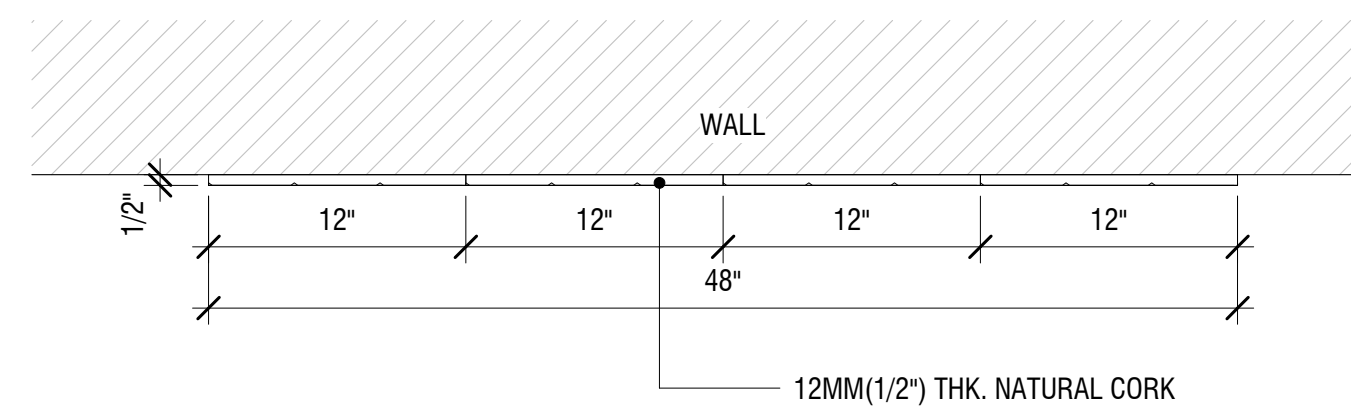


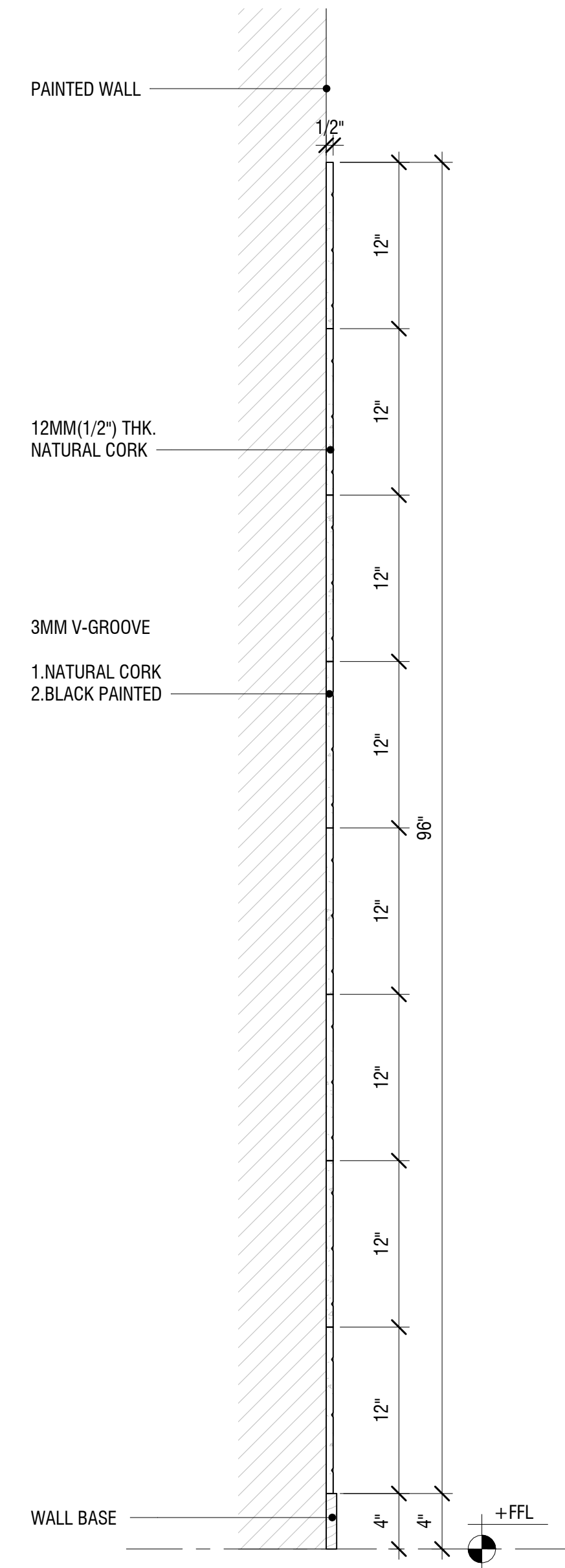
THERE WILL BE TWO TYPES OF CORK:
 1. NATURAL CORK
 2. NATURAL CORK WITH BLACK PAINTED GROOVE



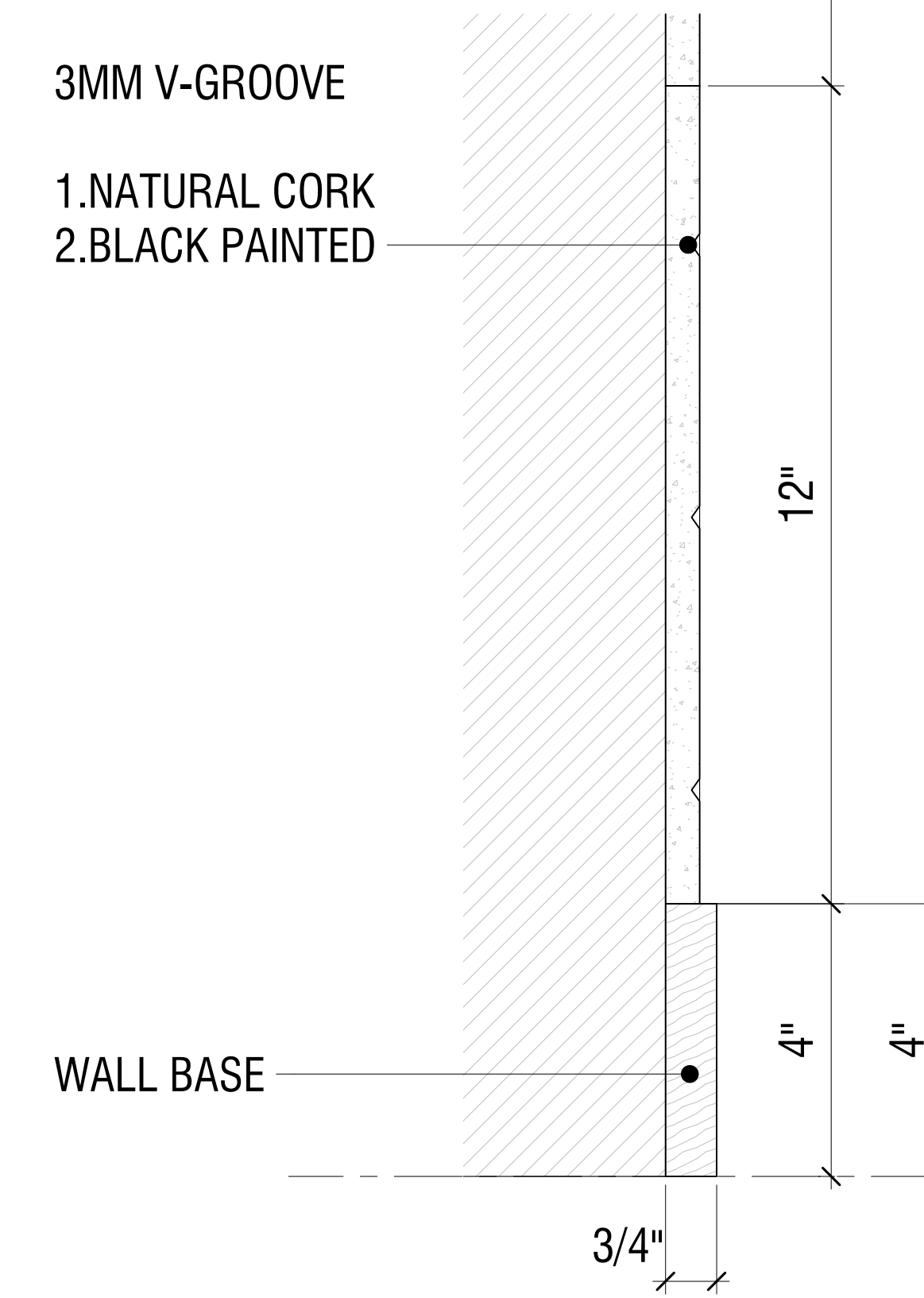
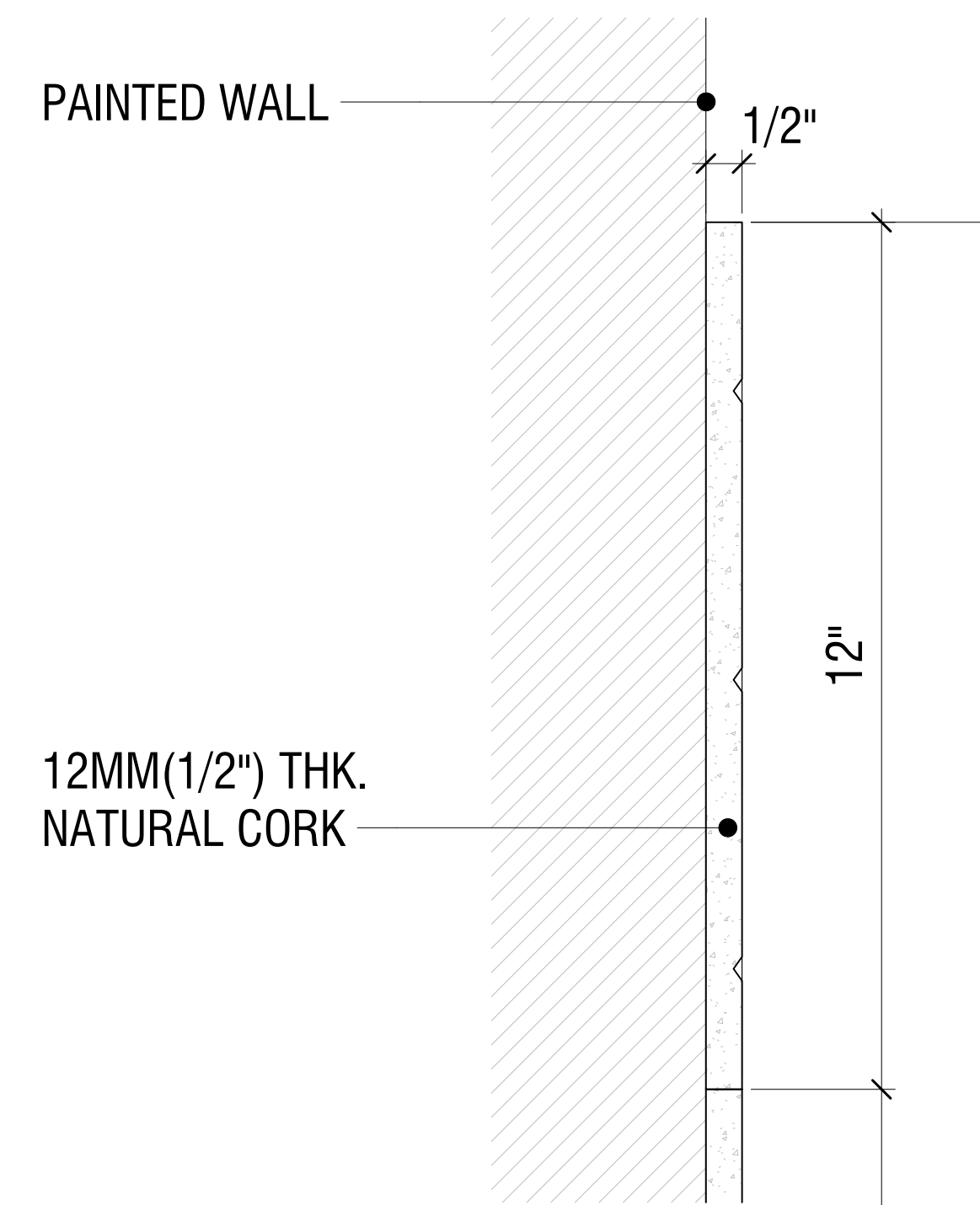
② 12MM (1/2") CORK PANEL - ELEVATION
 1 1/2" = 1'-0"



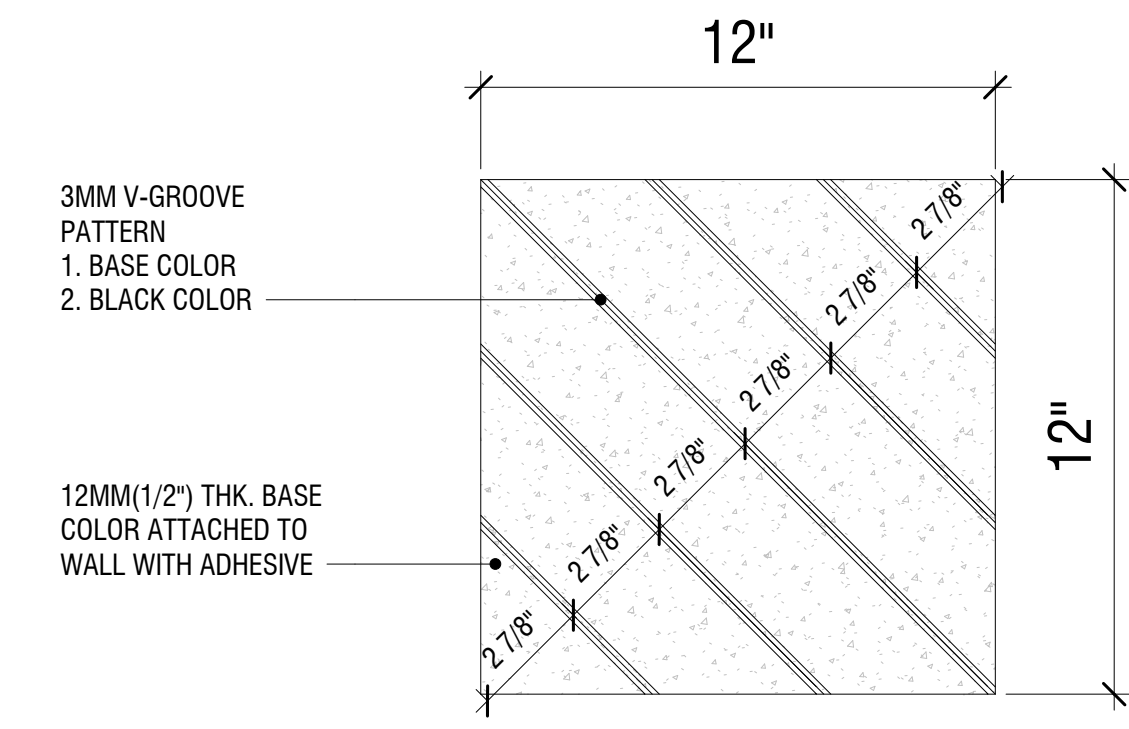
① 12MM (1/2") CORK PANEL - PLAN VIEW
 1 1/2" = 1'-0"



③ 12MM (1/2") CORK PANEL - TYP. SECTION
 1 1/2" = 1'-0"



④ 12MM (1/2") CORK PANEL - SECTIONAL
 DETAIL
 6" = 1'-0"



⑤ 12MM (1/2") CORK PANEL - WALL TILE
 DETAIL
 3" = 1'-0"

Product 4 - Tockky
 SWITCH Cork Panels



DATE:	
NAME:	
REVISIONS:	
NO.	1
	2
	3
	4
SUBMISSION FOR APPROVAL	
PROJECT NUMBER:	
DRAWING NUMBER:	
1.0	