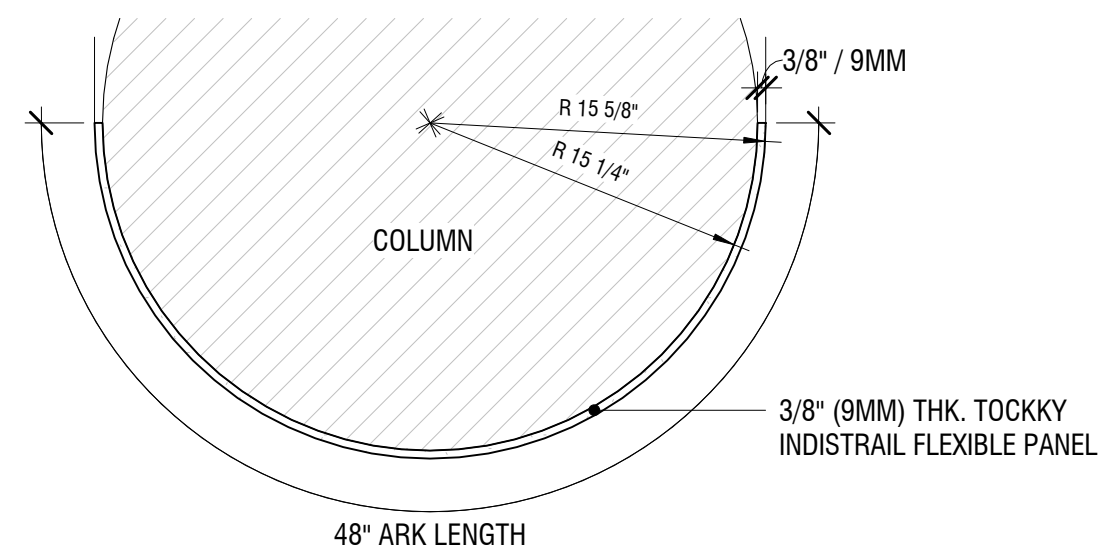
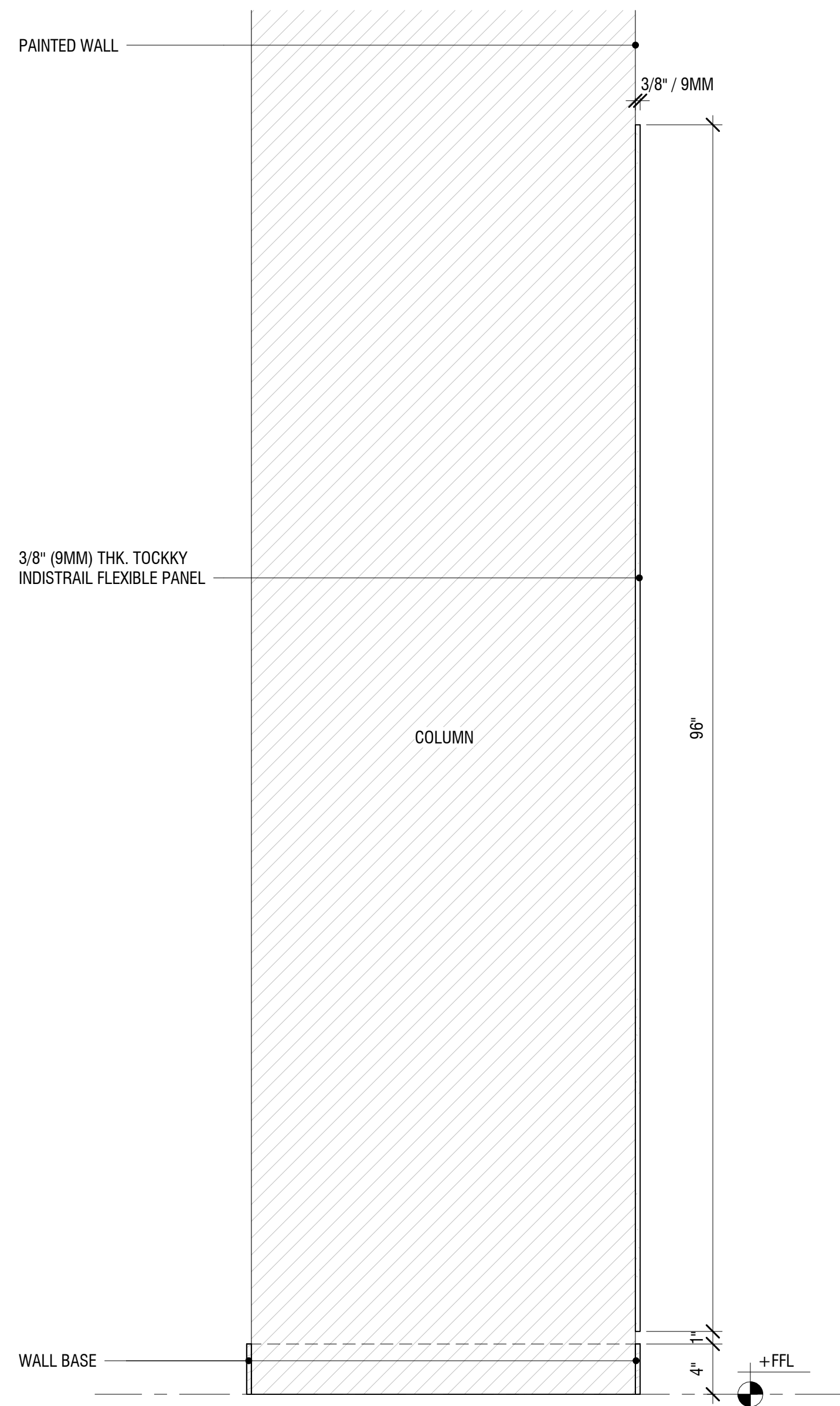


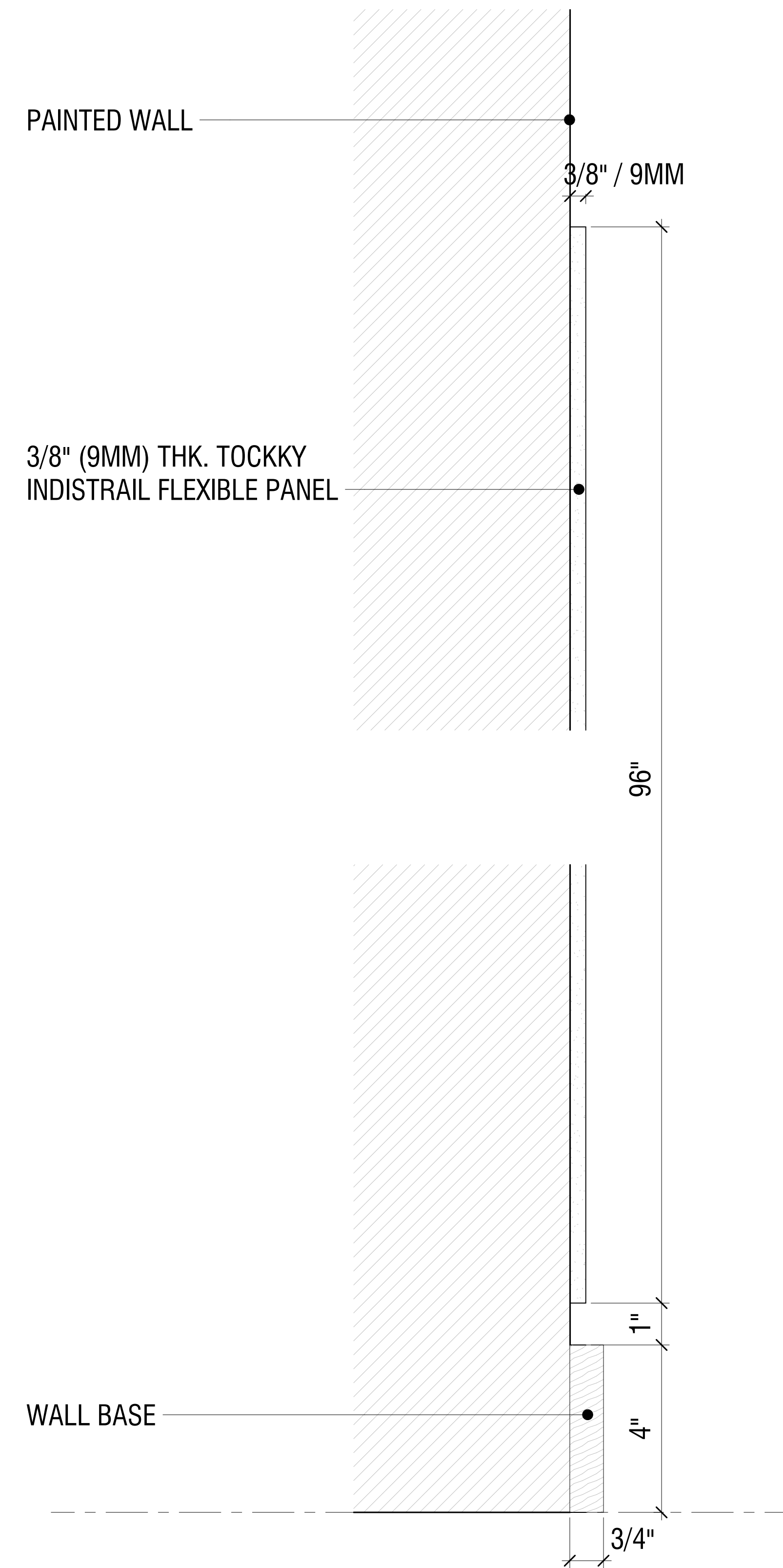
② 3/8" (9MM) TOCKKY INDISTRIL FLEXIBLE ACOUSTIC PANEL ATTACHED W/ ADHESIVE - 4x8' - ELEVATION
1 1/2" = 1'-0"



① 3/8" (9MM) TOCKKY INDISTRIL FLEXIBLE PANEL W/ADHESIVE - 4x8' - PLAN VIEW
1 1/2" = 1'-0"

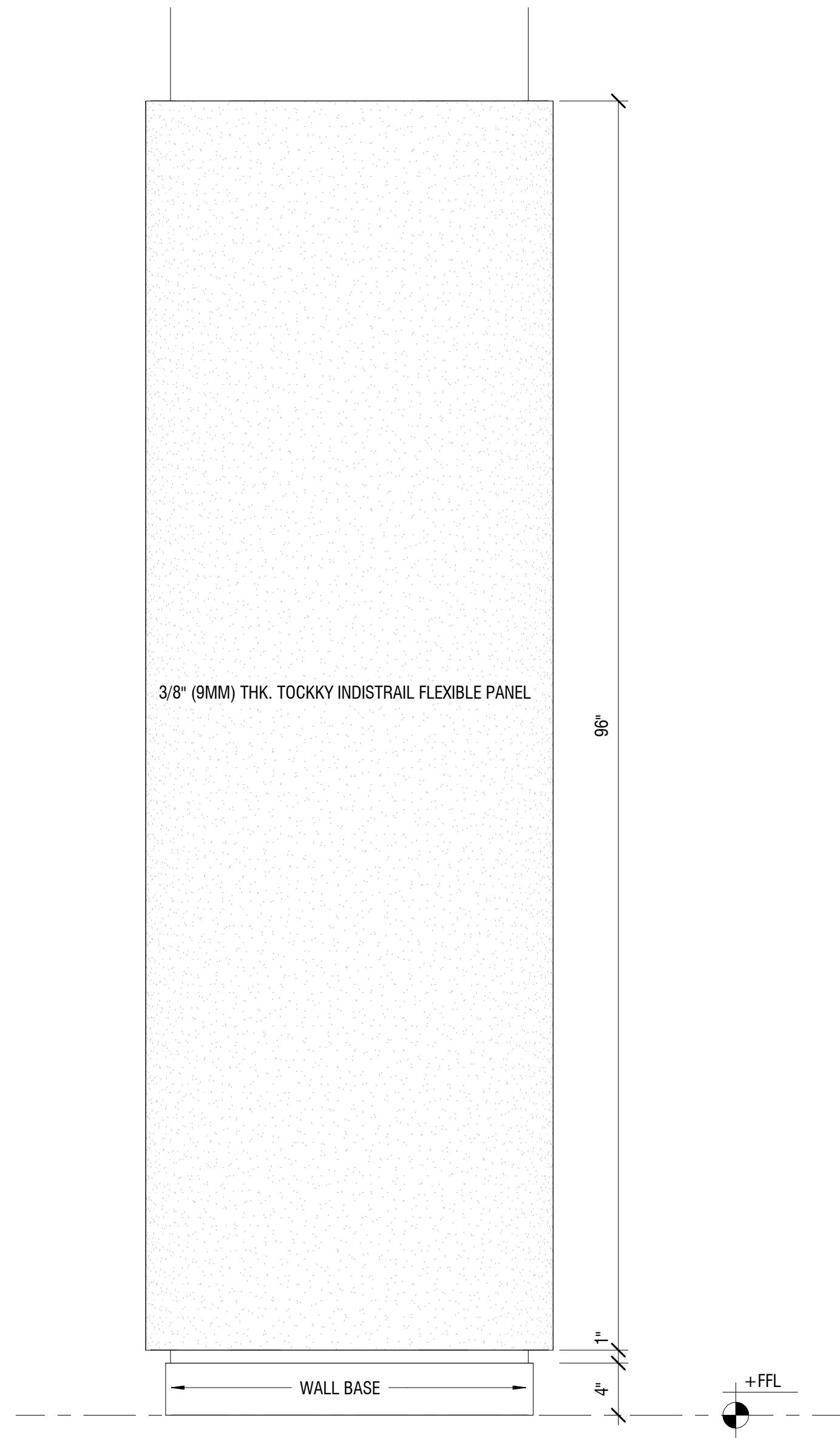


③ 3/8" (9MM) TOCKKY INDISTRIL FLEXIBLE ACOUSTIC PANEL ATTACHED W/ ADHESIVE - 4x8' - TYP. SECTION
1 1/2" = 1'-0"

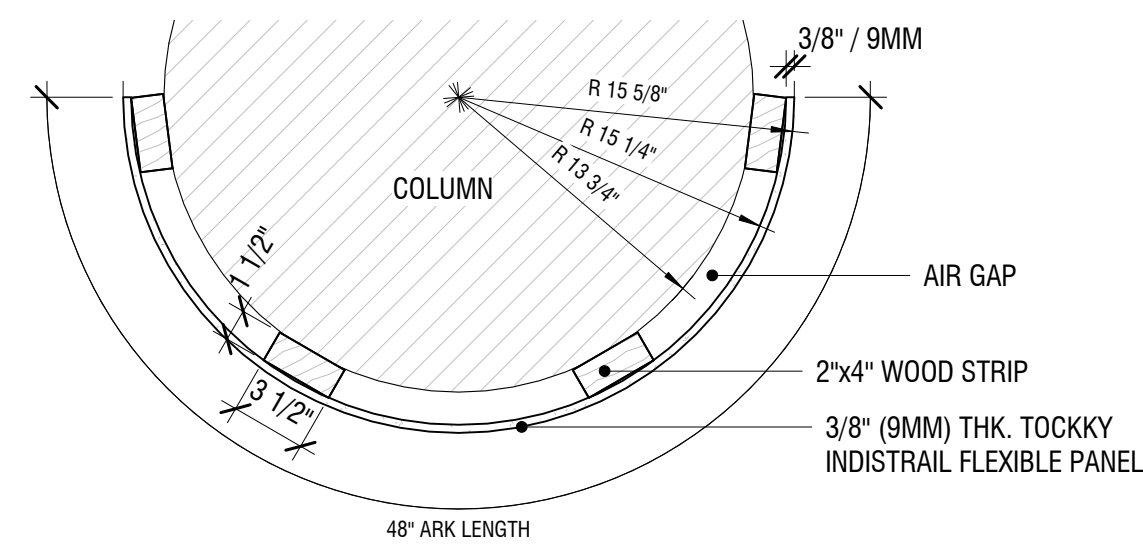


④ 3/8" (9MM) TOCKKY INDISTRIL FLEXIBLE ACOUSTIC PANEL ATTACHED W/ ADHESIVE - 4x8' - SECTIONAL DETAIL
6" = 1'-0"

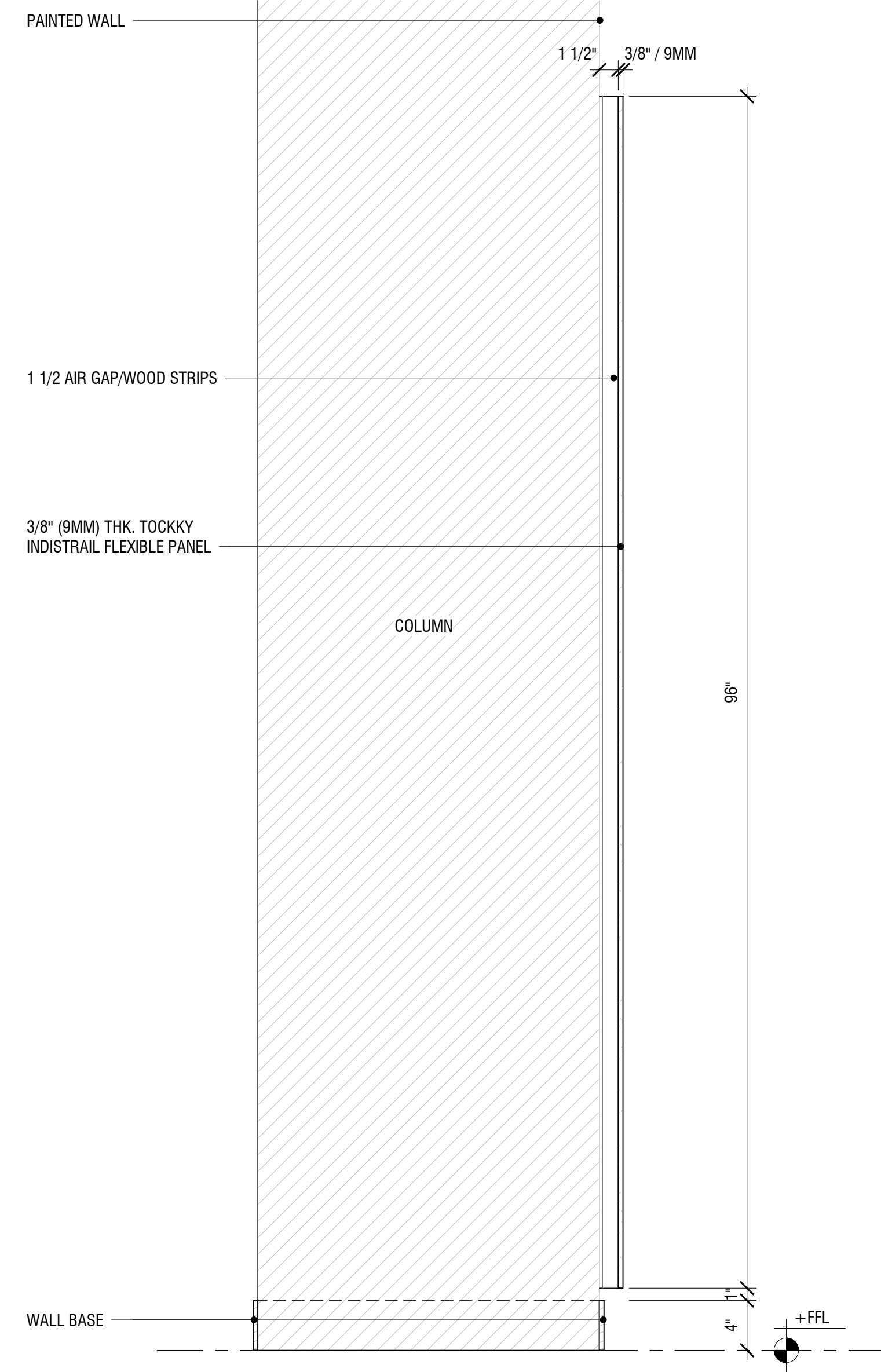
DATE:	
NAME:	
REVISIONS:	
NO.	1
	2
	3
	4
 Tockky	
Product 2 - Tockky IndiStrail Flexible Acoustic Panels	
DATE:	
DRAWN BY:	
DRAWING TITLE:	3/8" (9MM) TOCKKY INDISTRIL FLEXIBLE PANELS W/ADHESIVE - 4x8'
PROJECT NUMBER:	
DRAWING NUMBER:	1.0



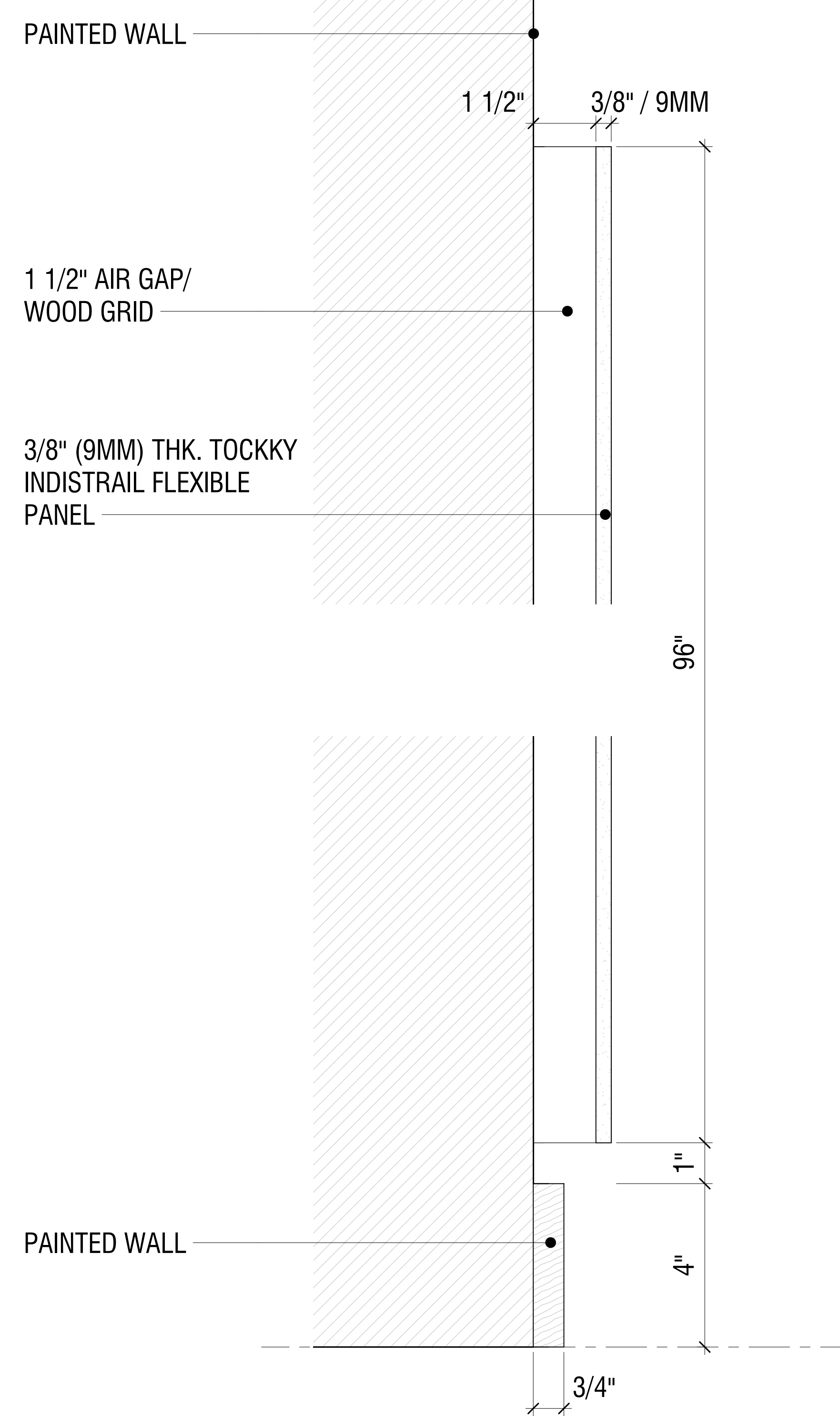
① 3/8" (9MM) TOCKKY INDISTRAIL FLEXIBLE ACOUSTIC PANEL ATTACHED W/WOOD STRIPS - 4'x8' - ELEVATION
1 1/2" = 1'-0"




② 3/8" (9MM) TOCKKY INDISTRAIL FLEXIBLE PANEL W/WOOD STRIPS - 4'x8' - PLAN VIEW
1 1/2" = 1'-0"

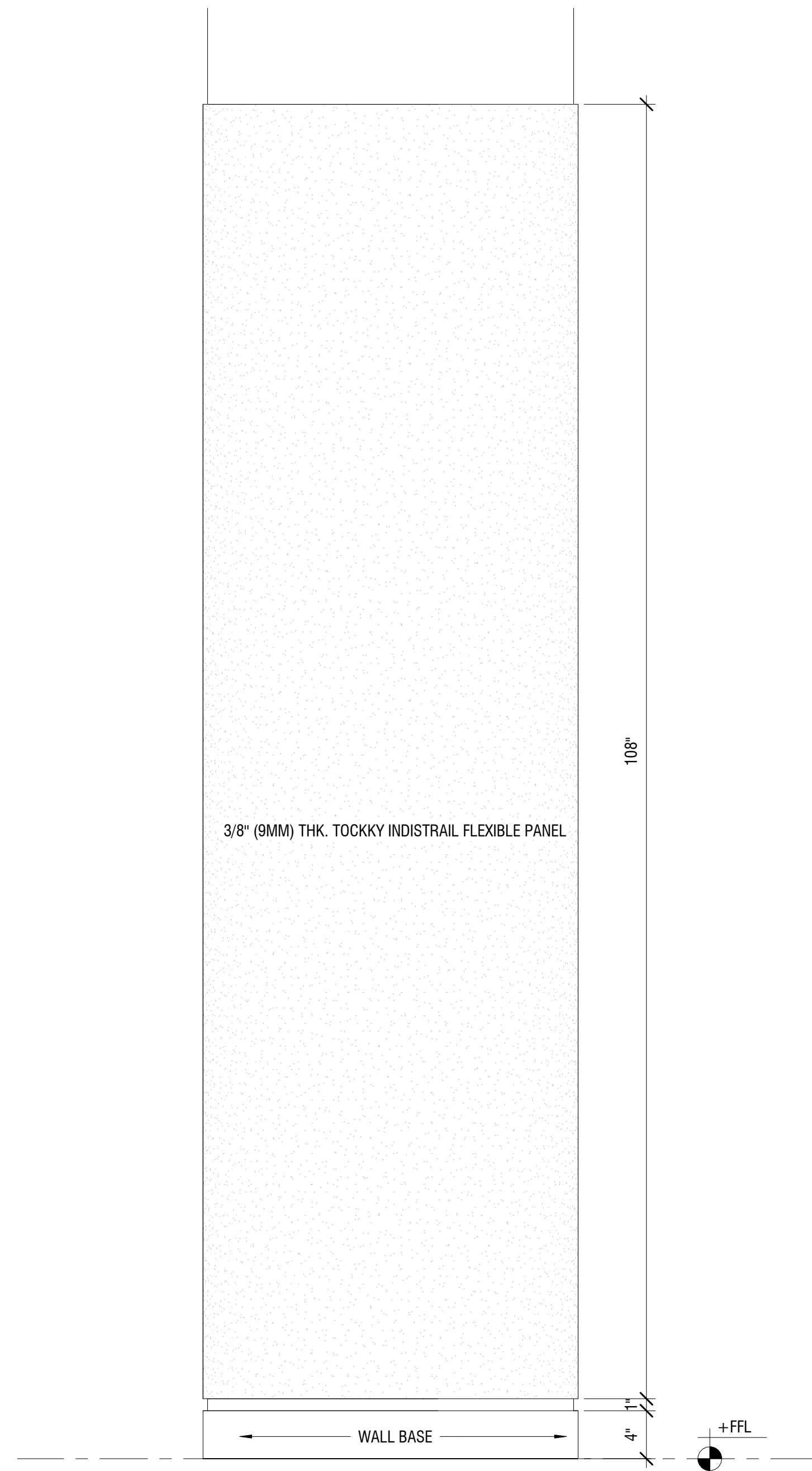


③ 3/8" (9MM) TOCKKY INDISTRAIL FLEXIBLE ACOUSTIC PANEL ATTACHED W/WOOD STRIPS - 4'x8' - TYP. SECTION
1 1/2" = 1'-0"

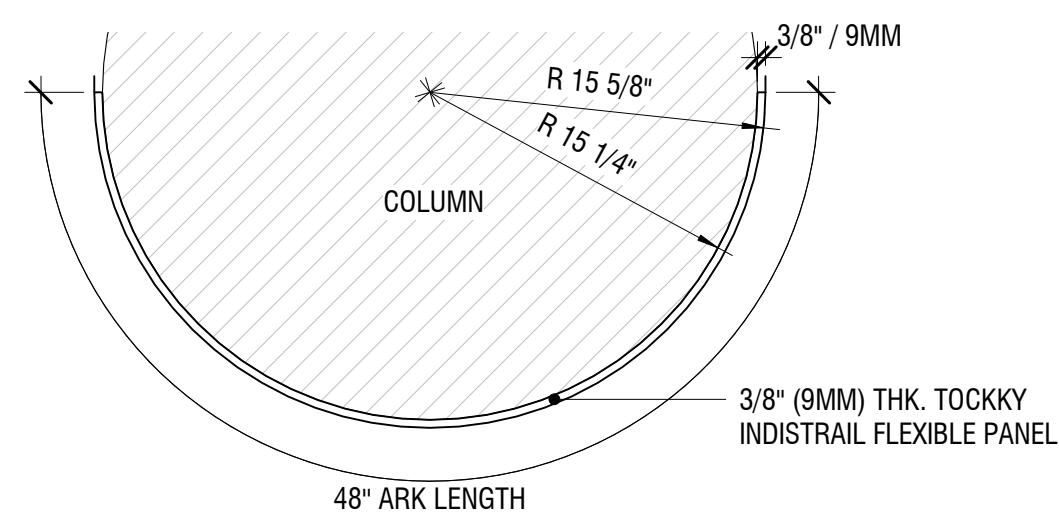


④ 3/8" (9MM) TOCKKY INDISTRAIL FLEXIBLE ACOUSTIC PANEL ATTACHED W/WOOD STRIPS - 4'x8' - SECTIONAL DETAIL
6" = 1'-0"

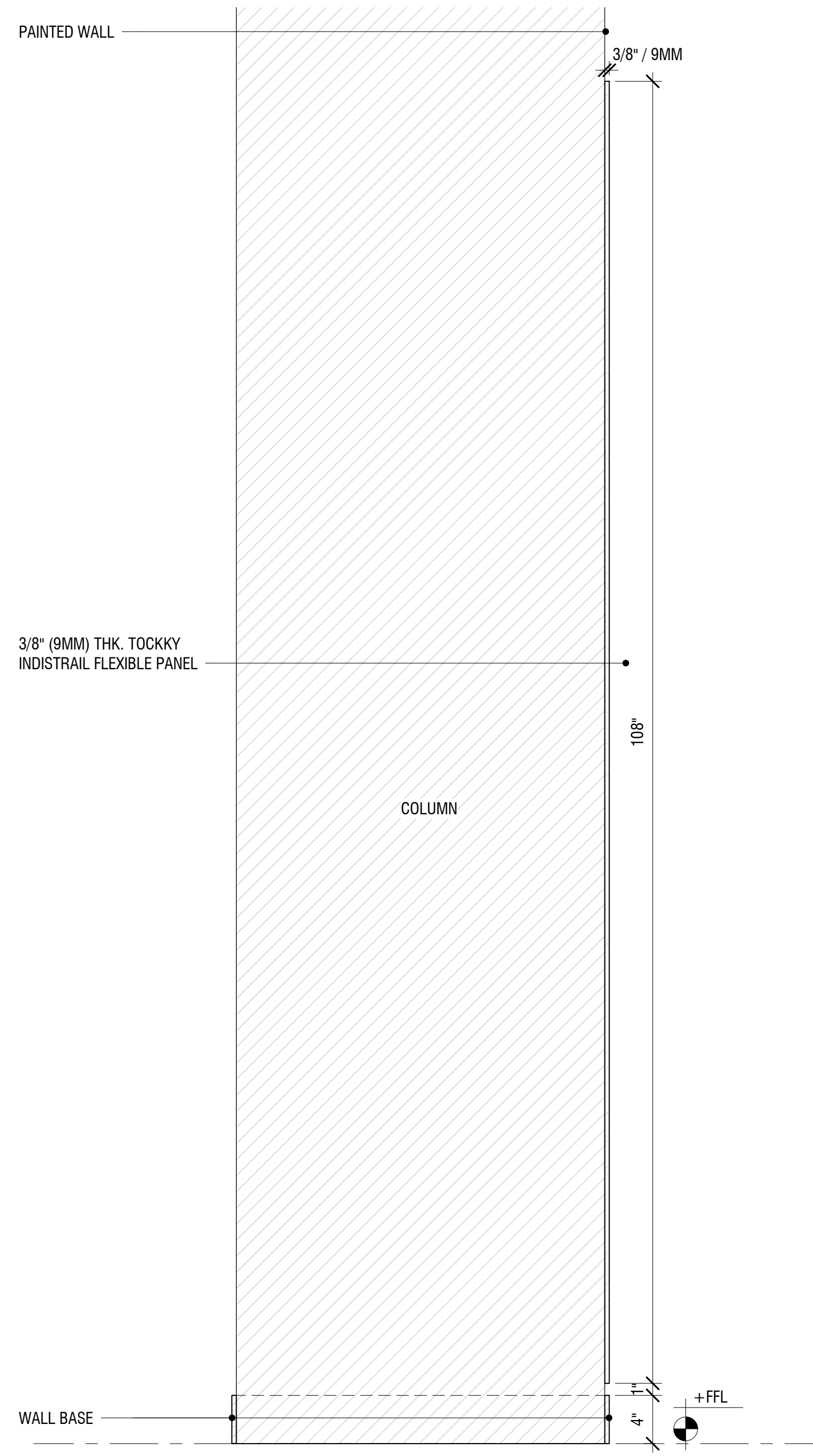
DATE:				
NAME:				
REVISIONS:	NO.	1	2	3
		SUBMISSION FOR APPROVAL		
 Tockky				
Product 2 - Tockky IndiStrail Flexible Acoustic Panels				
DATE:				
DRAWN BY:				
DRAWING TITLE:	3/8" (9MM) TOCKKY INDISTRAIL FLEXIBLE PANELS W/WOOD STRIPS - 4'x8'			
PROJECT NUMBER:				
DRAWING NUMBER:	1.1			



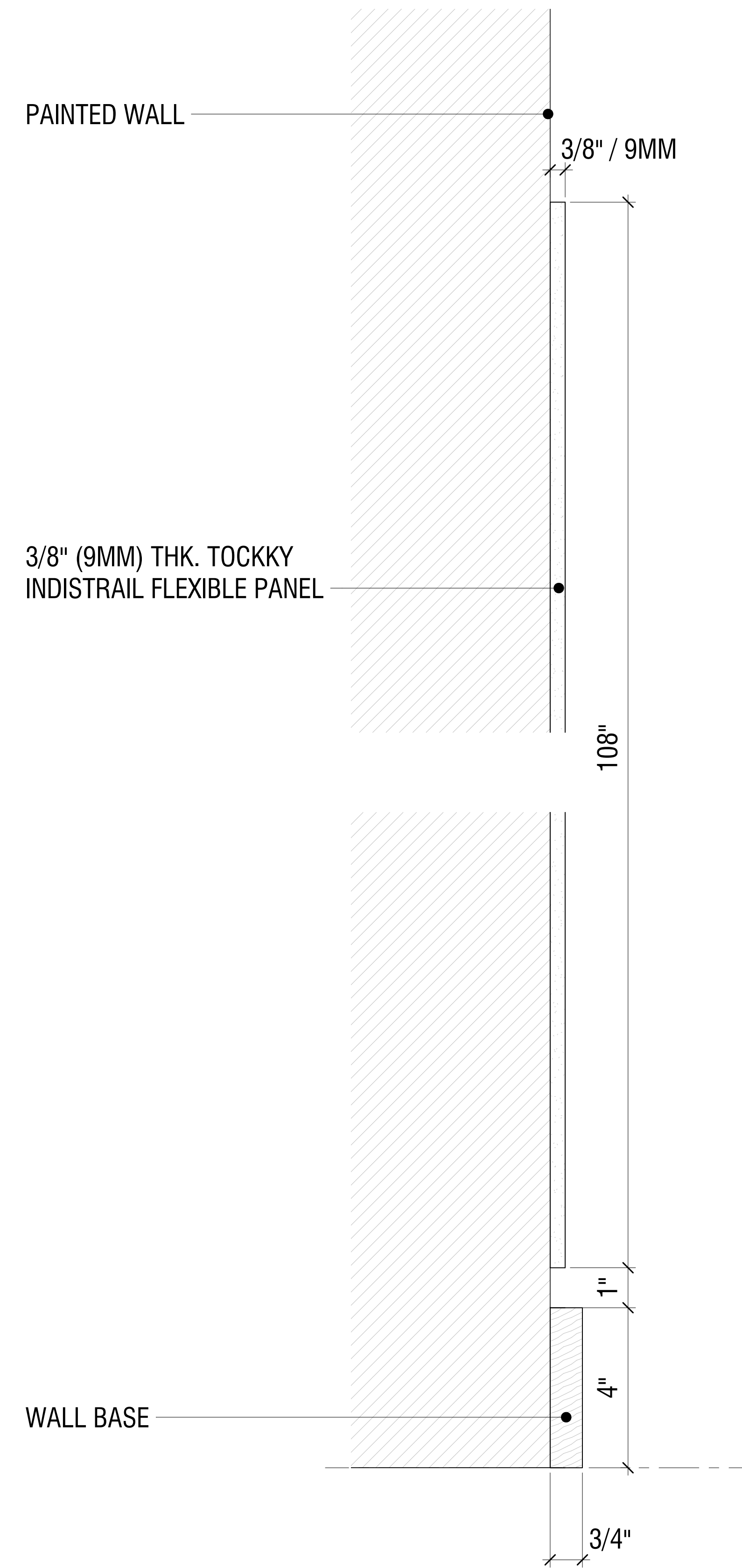
② 3/8" TOCKKY INDISTRAIL FLEXIBLE ACOUSTIC PANEL ATTACHED W/ ADHESIVE - 4x9' - ELEVATION
1 1/2" = 1'-0"




① 3/8" (9MM) TOCKKY INDISTRAIL FLEXIBLE PANEL W/ADHESIVE - 4x9' - PLAN VIEW
1 1/2" = 1'-0"

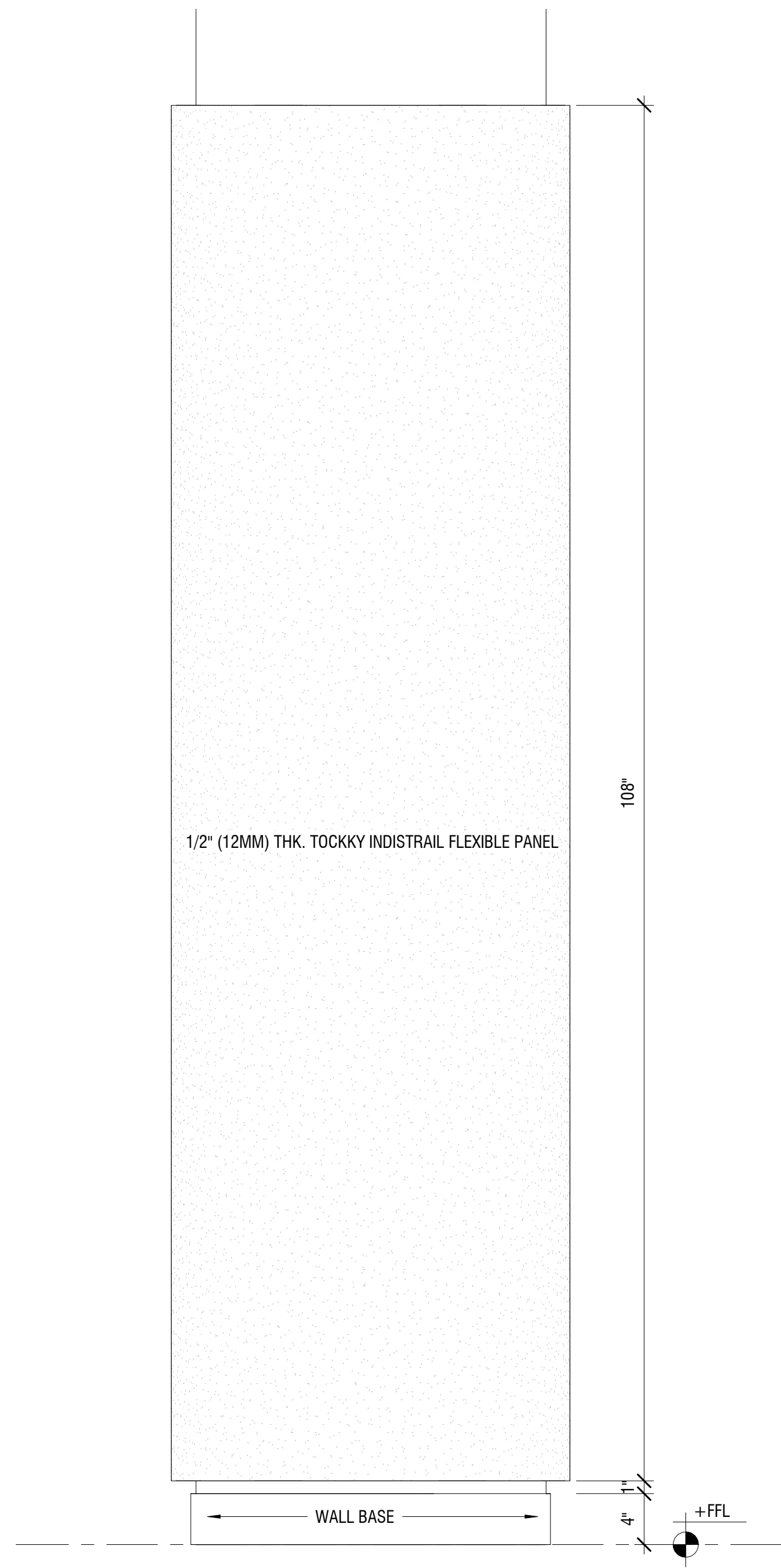


③ 3/8" TOCKKY INDISTRAIL FLEXIBLE ACOUSTIC PANEL ATTACHED W/ ADHESIVE - 4x9' - TYP. SECTION
1 1/2" = 1'-0"

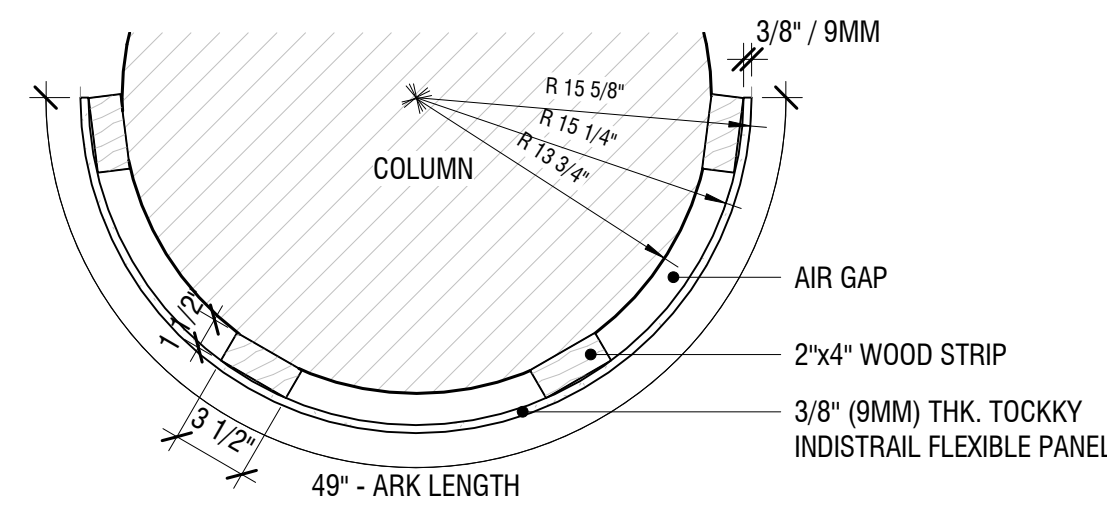


④ 3/8" TOCKKY INDISTRAIL FLEXIBLE ACOUSTIC PANEL ATTACHED W/ ADHESIVE - 4x9' - SECTIONAL DETAIL
6" = 1'-0"

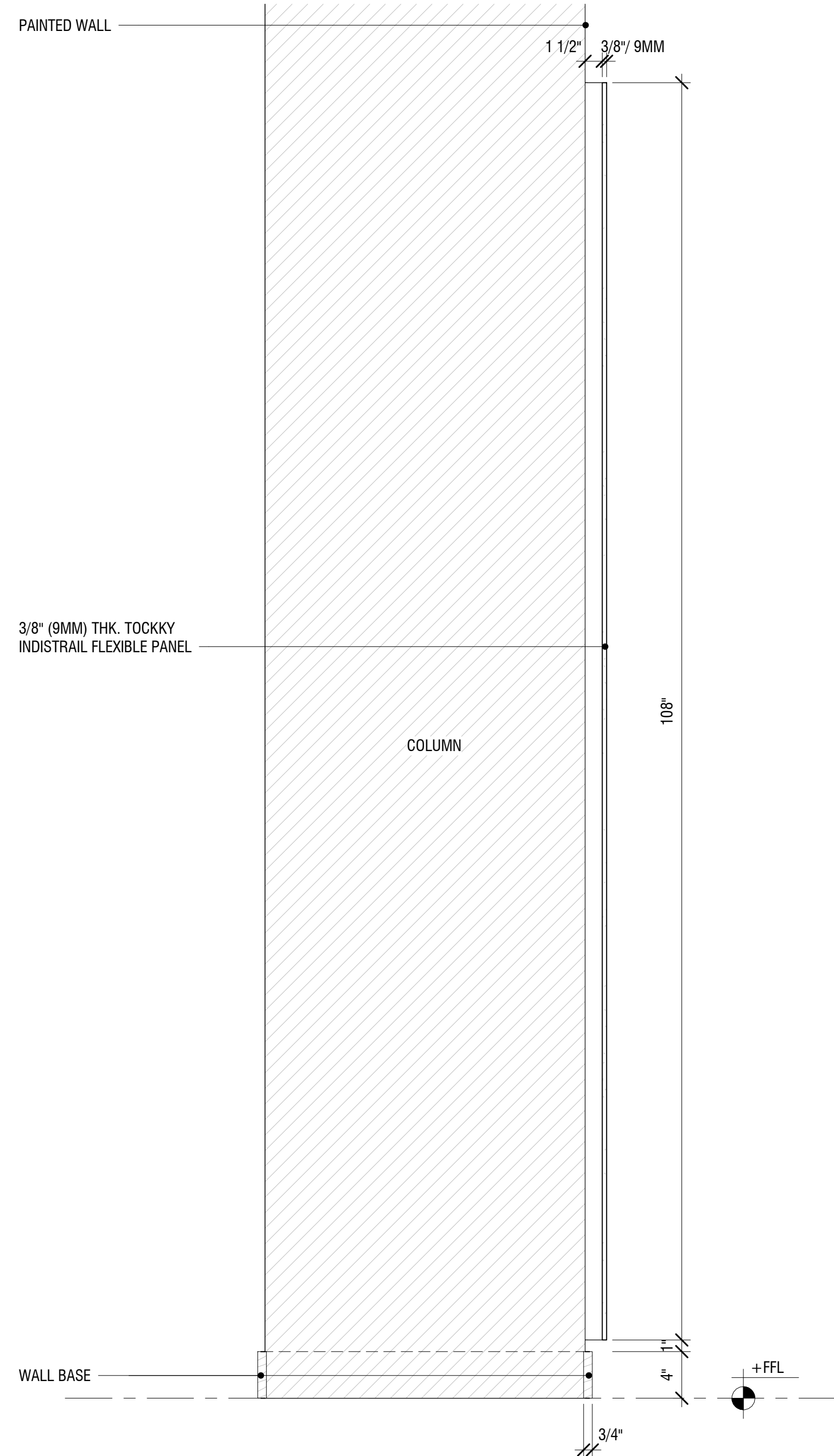
DATE:	
NAME:	
NO.:	1
REVISIONS:	2
	3
	4
SUBMISSION FOR APPROVAL	
 Tockky	
Product 2 - Tockky IndiStrail Flexible Acoustic Panels	
DATE:	
DRAWN BY:	
DRAWING TITLE:	3/8" (9MM) TOCKKY INDISTRAIL FLEXIBLE PANELS W/ADHESIVE - 4x9'
PROJECT NUMBER:	
DRAWING NUMBER:	2.0



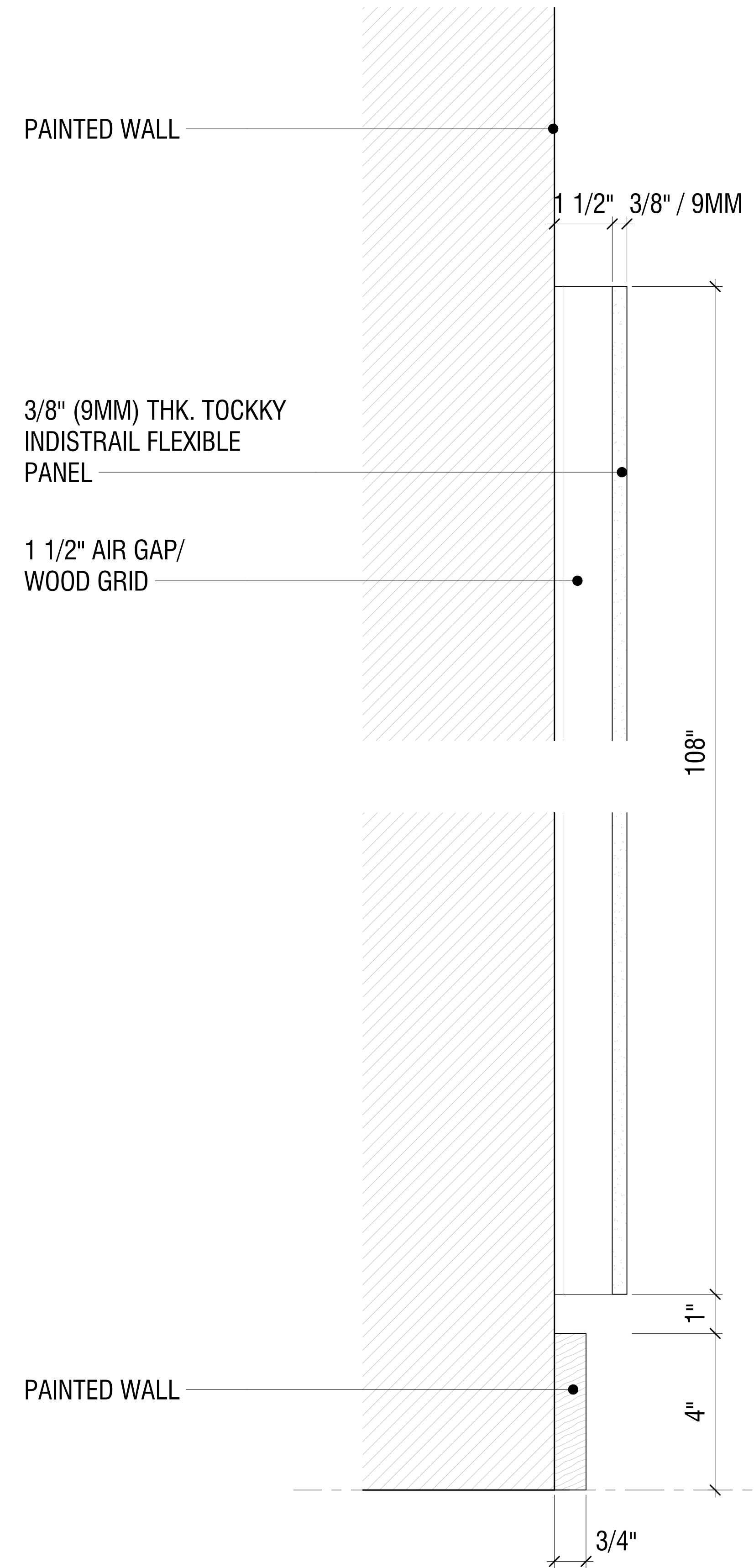
② 3/8" (9MM) TOCKKY INDISTRIL FLEXIBLE ACOUSTIC PANEL ATTACHED W/WOOD STRIPS - 4'x9' - ELEVATION
1 1/2" = 1'-0"



① 3/8" (9MM) TOCKKY INDISTRIL FLEXIBLE ACOUSTIC PANEL ATTACHED W/WOOD STRIPS - 4'x9' - PLAN VIEW
1 1/2" = 1'-0"



③ 3/8" (9MM) TOCKKY INDISTRIL FLEXIBLE ACOUSTIC PANEL ATTACHED W/WOOD STRIPS - 4'x9' - TYP. SECTION
1 1/2" = 1'-0"



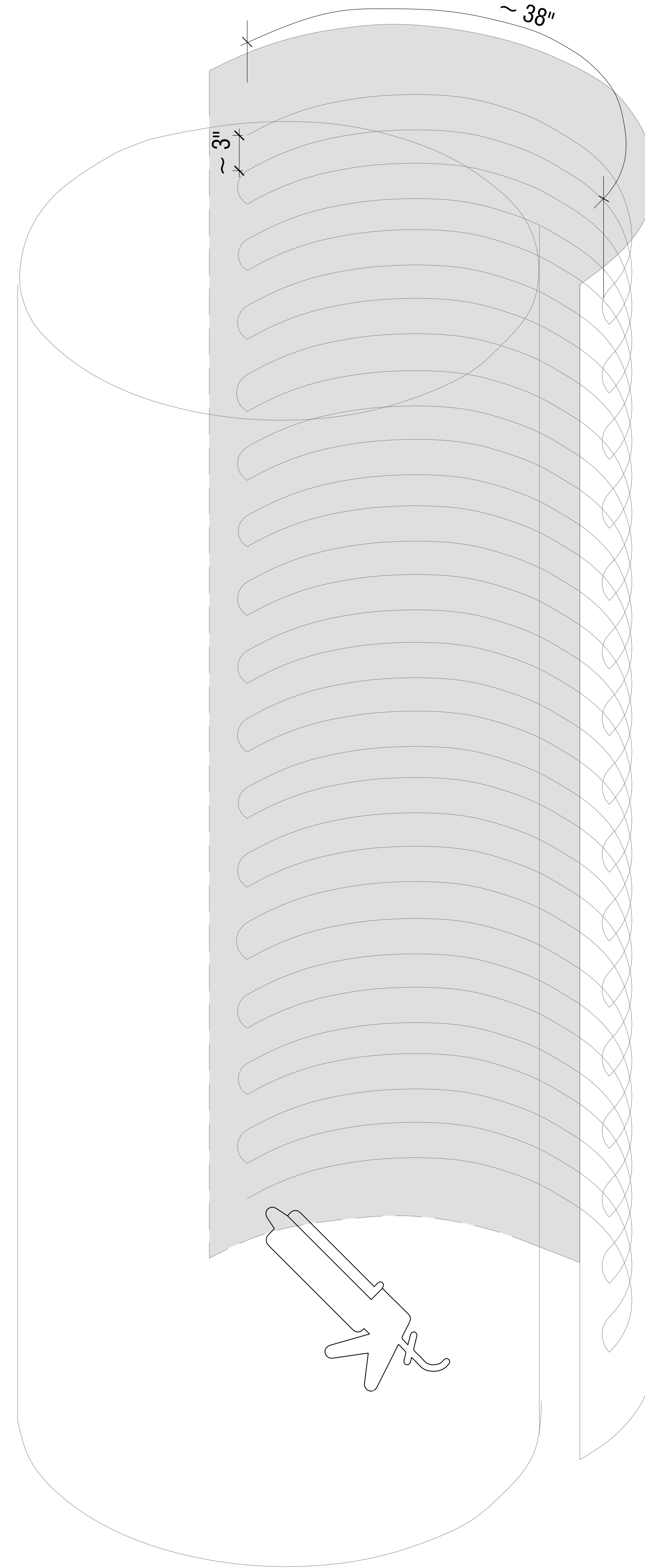
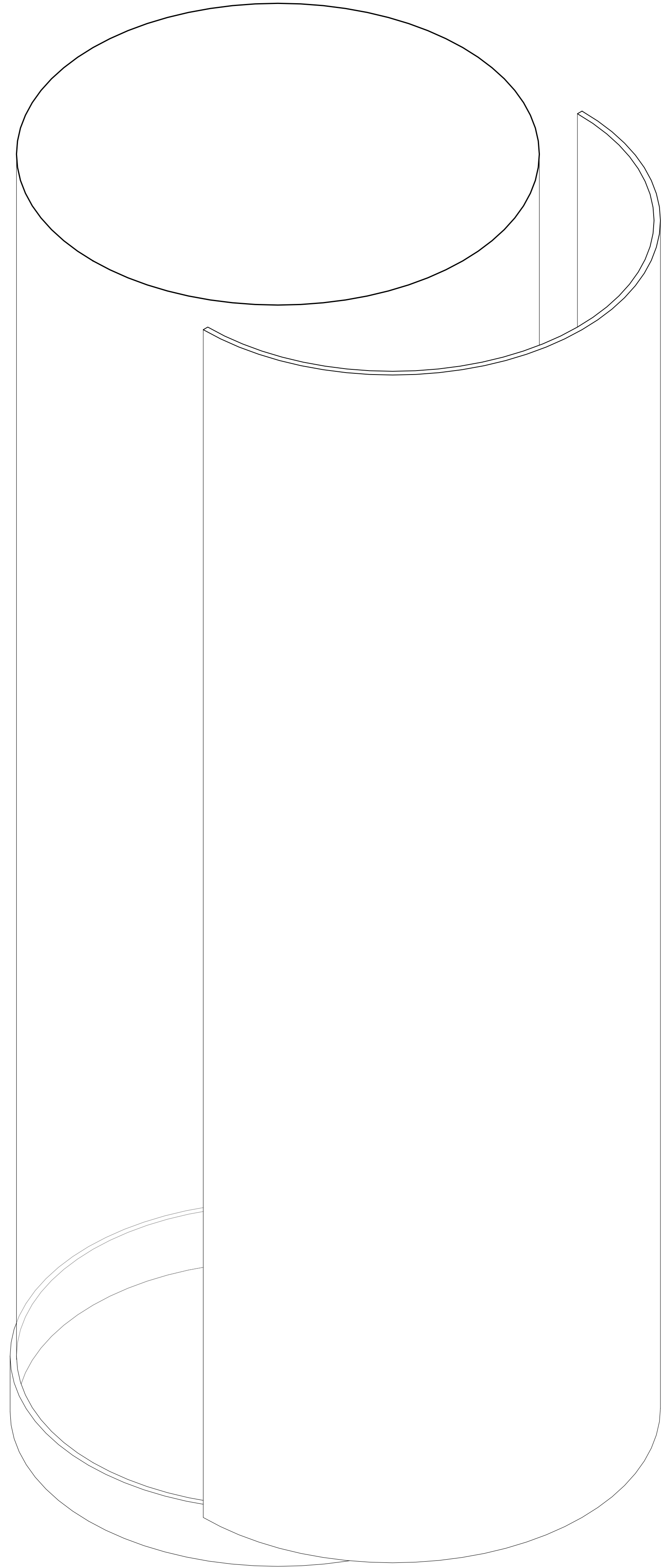
④ 3/8" (9MM) TOCKKY INDISTRIL FLEXIBLE ACOUSTIC PANEL ATTACHED W/WOOD STRIPS - 4'x9' - SECTIONAL DETAIL
6" = 1'-0"


NO.	REVISIONS:	DATE:
1	SUBMISSION FOR APPROVAL	
2		
3		
4		



Product 2 - Tockky
IndiStrail Flexible
Acoustic Panels

DATE:
DRAWN BY:
DRAWING TITLE:
3/8" (9MM) TOCKKY INDISTRIL FLEXIBLE PANELS W/WOOD STRIPS - 4'x9'
PROJECT NUMBER:
DRAWING NUMBER:



DATE:					
NAME:					
NO:	REVISIONS:	SUBMISSION FOR APPROVAL			
	1				
	2				
	3				
4					
 Tockky					
Product 2 - Tockky IndiStrail Flexible Acoustic Panels					
DATE:					
DRAWN BY:					
DRAWING TITLE:					
TOCKKY INDISTRIL FLEXIBLE PANELS W/ADHESIVE - INSTALLATION					
PROJECT NUMBER:					
DRAWING NUMBER:					
5.0					